

Welcome to HEARKEN

Actuators and Controls

**Hearken
Here We
Can**

The Trusted, Passionate and focused Partner in Valve Automation

At HEARKEN FLOW, The founding principle of Hearkenflow is simple: to Listen our customers needs first, to develop the innovative valve actuators solutions , to meet the unique needs of our customers, Along the way, To help our customers to solve the problems in Valve Automation. We are growing our brand in Pneumatic and Electric Actuators, Accessories..

- Experienced team
- Large inventory
- Convenient consultation



WHY WE ARE DIFFERENT

We offer a complete valve automation solution by the applications experience and customization capabilities, with an experienced support team to guide you in selection, installation, and project support. In addition we maintain an extensive supply of product inventory on hand so that we can quickly fulfill orders and reduce wait times. Our sales and support staff are readily available and accessible so that customers get the answers they need quickly.

THE TARGET WE ARE PURSUING



- To built A strong Reputation in Providing Quality, Cost Effective , Reliable And Robust Performance Solutions for Valve Automation,
- Included Pneumatic Actuators, Electrically Actuators, Actuated Valves.



COMMITMENT TO QUALITY

At HEARKEN FLOW means performance, All products manufactured by HEARKEN FLOW are warranted against defects in material and workmanship for a period of 18 months from the day of startup. Each of our products are tested at the factory. we are confident that our products meet or exceed all applicable standards before they ever leave our facility. We are an ISO 9001-2008 certified company. Our Valve Actuators Has Applied for SIL3 Certificate, ATEX Certificate ,CE, Explosion-proof Certificate, IP68 Weather proof etc....

Pneumatic Clamp Butterfly Valve

Female Thread Stainless Steel, Sanitary

Description



HEARKEN pneumatic sanitary butterfly valve, default GB standard, ANSI, JIS, DIN or API 6D is available.

Double acting standard control mode, single acting is available, 304 or 316 stainless steel body construction, 2.5 to 8 bar input air pressure, tri clamp connection, DN15-DN100, default PTFE seat, resistant to almost all fluids.

Widely used in process control occasions such as food, pharmaceuticals, cosmetics, clean steam, alcohol, beverages, biochemical industrial processes



Main Product Features

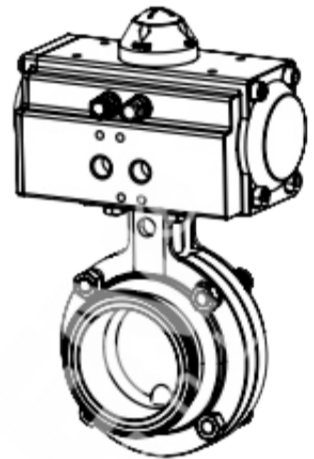


- Features: Long Service Life, Eco-Friendly, Easy Installation, etc
- Actuator Type: Double Acting and Spring Return(Single Acting)
- Rotation: Quarter-turn
- Applicable Standard: GB, ANSI, JIS, DIN
- Connection Type: Flange End
- Suitable Medium: Water, Oil, Air, Gas, etc

Technical Performance of Valve Body

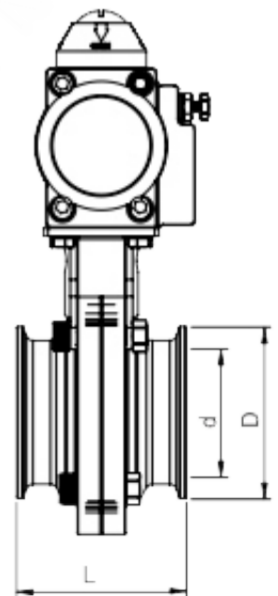


Body		Valve Components	
Nominal Size	DN15~DN100	Seat Material	PTFE:-30°C~180°C PPL:-30°C~250°C
Body Material	SS304,SS316,SS316L	Disc Material	SS304,SS316,SS316L
Connection Type	Clamp,Welding	Stem Material	Ss304
Pressure Rating	PN1.6MPa	Design Standard	ISO,DIN,IDF,SMS,3A
Structure Type	Midline Structure	Applicable Medium	Food,Medicine,Packing Machinery,Filling Machinery And Other Health Conditions Using Level.



Dimension In MM

Size	1/2"	3/4"	1"	1 1/4"	1 1/2"	1 3/4"	2"	2 1/4"	2 1/2"	3"	3 1/2"	4"
	φ12.7	φ19	φ25	φ32	φ38	φ45	φ51	φ57	φ63	φ76	φ89	φ102
Φ	16	19.05	25.4	31.8	38.1	45	50.8	57	63.5	76.5	89.1	101.6
d		16	22	29	35	42	48	53	59	72	85	97
D	25.4	50.5	50.5	50.5	50.5	64	64	77.5	77.5	91	106	119
L		68	68	68	70	70	70	76	76	81	82.5	85



Technical Performance of Valve Actuator



Double Acting	Air to open,air to close,air supplier failure to keep the current position
Single Acting N/C	Air to open,interrupt air to close,air failure to close
Single Acting N/O	Air to close,interrupt air to open,air failure to open
Optional Accessory	Reversing solenoid valve,limit switch box,air filter reducing valve, positioner,handle manual,lock up valve